
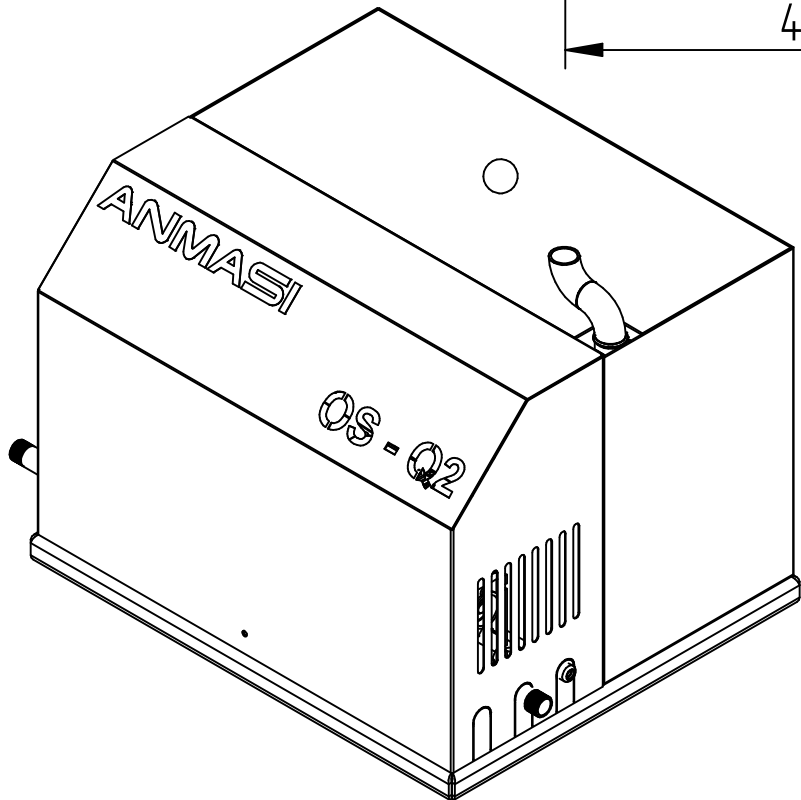
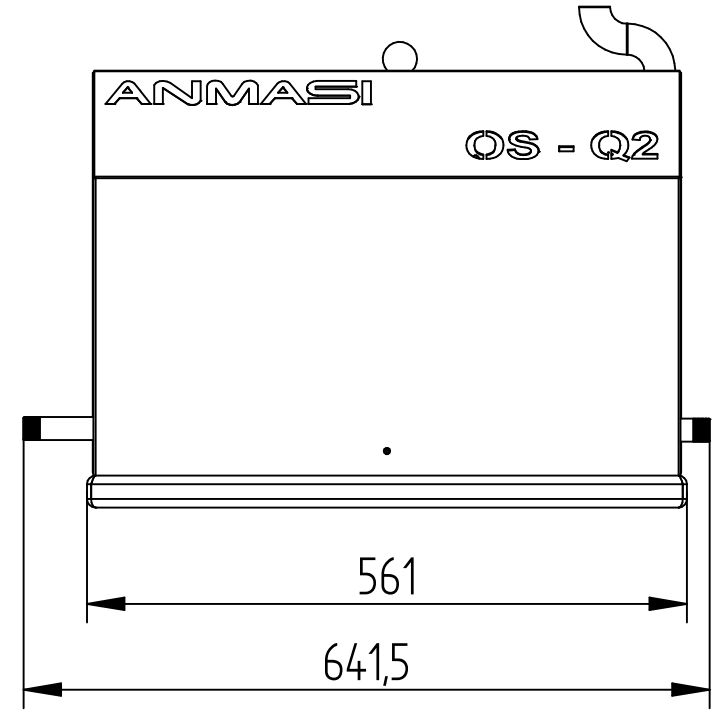
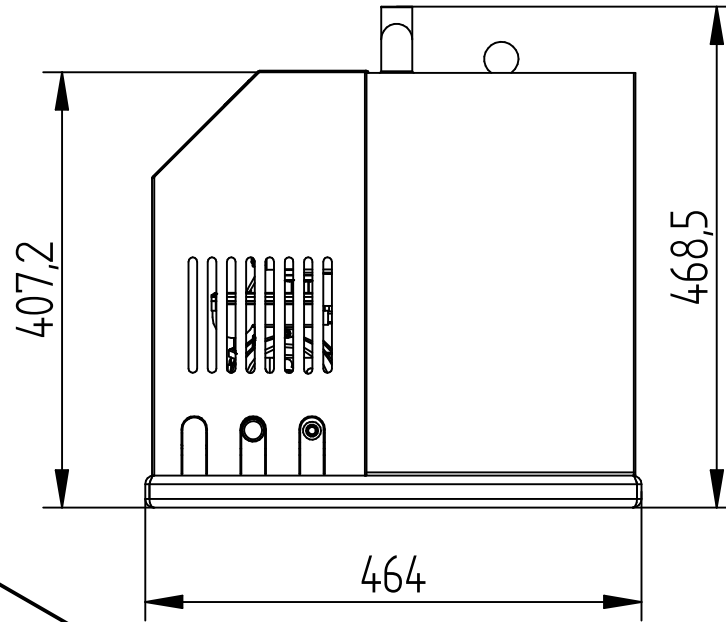



STK  
MATERIALE

| DRAWN   | NAME | DATE     |  |  |               |
|---|------|----------|---|--|---------------|
|   | DSFI | 04/04/19 |   |  |               |
| UNLESS OTHERWISE SPECIFIED<br>DIMENSIONS ARE IN MILLIMETERS |      |          | SIZE<br>A3  | DWG NO<br>70580030-KOMPLET OS-2S -2015 - | REV<br>SCALE: |
|   |      |          | 1:2   | WEIGHT:                                  | SHEET 1 OF 2  |



STK  
MATERIALE

|   | NAME | DATE     |  |  |     |
|---|------|----------|---|--|-----|
| DRAWN   | DSFI | 04/04/19 |   |  |     |
|   |      |          | TITLE   |  |     |
|   |      |          |   |  |     |
| UNLESS OTHERWISE SPECIFIED<br>DIMENSIONS ARE IN MILLIMETERS |      |          | SIZE<br>A3  | DWG NO<br>komplet os-q2 rev 2 med Anmasi Logo. | REV |
|   |      |          |   |  |     |
| SCALE: 1:5  |      | WEIGHT:  | SHEET 1 OF 2  |  |     |